

Easyslide 30



X-ray generator

- high frequency monobloc generator
- max power 30kW
- max voltage 125kV
- max current 400mA
- max 250mAs
- frequency 40kHz
- ripple 1%
- monobloc thermal capacity 570kJ-762kJ

X-ray tube

- X-ray tube with rotating anode 3000 rpm
- focal spot 0.6-1.3mm
- anode material RTM
- anode angle 15°
- thermal capacity 80kJ-107kJ
- continuous thermal dissipation max anode 300W

control desk

- control desk controlled by a micro-processor with touch screen display 10,4"

operating modalities

- 2-point technique (kV and mAs)
- 3-point technique (kV, mA, times)
- 84 programmed anatomical parts, can be re-programmed by operator
- 3 different patient sizes
- 3 speeds for supporting screens
- HU automatic calculation (thermal units of X-ray tube)
- collimator lamp ON/OFF switch also from touch screen display
- possibility to switch potter bucky ON/OFF
- RS232 output for software updating
- X-ray button with double release with extension cable up to 4 meters

kV selection

- continuously from 40 to 125kV

mA selection

- in 10 values from 50 to 400mA

selection of exposure times

- in 32 values from 0.003 to 6.3s
- in 33 values from 0.001 to 6.3s (upon request)

mAs selection

- in 25 values from 0.5 to 250mAs

safety devices and guards

- protection and automatic control of filament current
- protection from over current and over voltage (kV, mA)
- protection from maximum load of X-ray tube
- operator error or malfunctioning indication

power supply

- standard voltage 230V \pm 10%, 50/60Hz, 16A max
- additional voltage 240V or 110V
- line resistance 0.4ohm

collimator

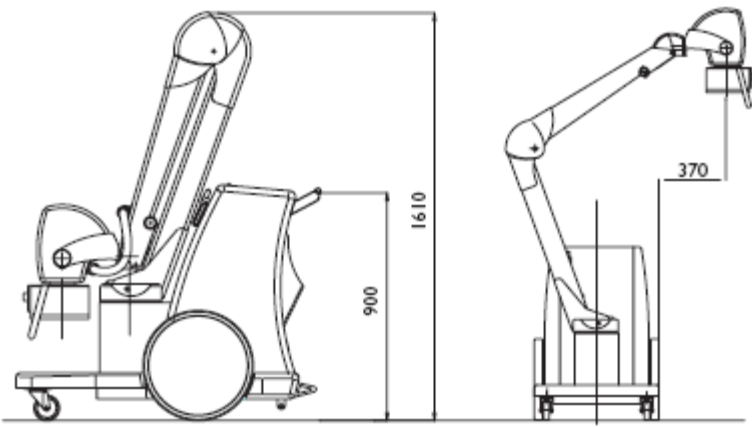
- with multiple layer blades and manual control
- variable field from 0x0 to 43x43cm to a 100 cm DFF
- high intensity halogen lamp 160lux at 100cm
- ON/OFF timer of lamp at 30s
- extractible measurement tape to control DFF
- collimator rotation \pm 90°

mechanical unit

- arm rotation \pm 90°
- swiveling front wheels in anti-static rubber
- big rear wheels \varnothing 43,5cm
- dead-man brake system
- container for 6 X-ray cassette 35x43cm
- variable focus-floor distance 60-202cm
- rotation of monobloc supporting fork +90° / -180°
- rotation of monobloc in fork 0° / +90°
- dimensions during transportation 120x67x161h cm
- weight 215kg

accessories upon request

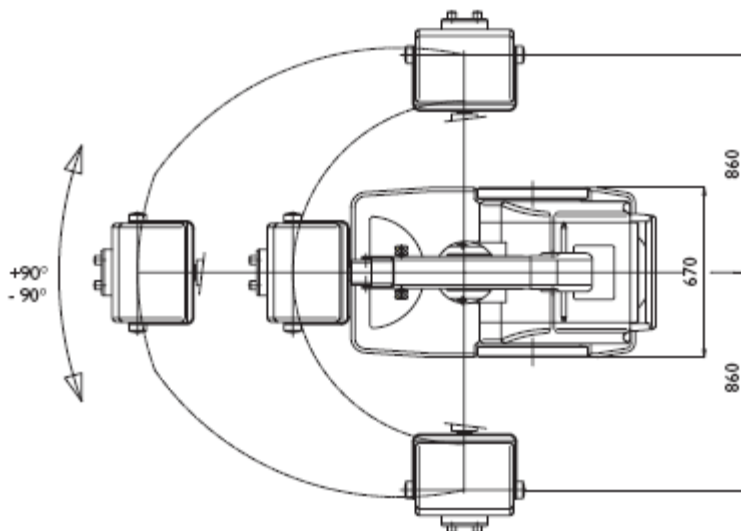
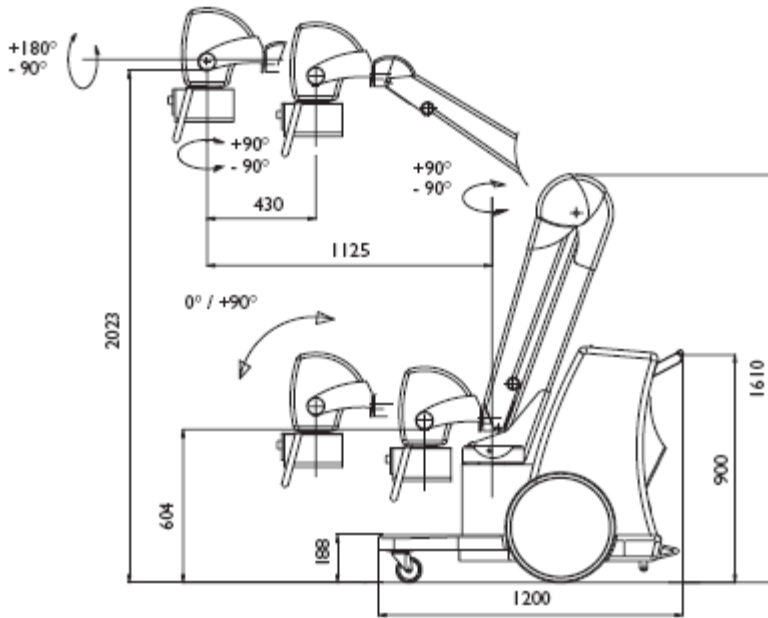
- possibility of connection to an automatic exposure meter (AEC)
- possibility of connection to a D.A.P. (kerma measurement system for area) with relative thermal printer



with possibility
of modification
or enhancements

CE 0051

compliant with
93-42-EEC
directive class II b



SMAM S.r.l

via Tiziano, 24 · 20053 Muggiò / Milano / Italy
tel +39 · 039 2781554 · 2781558 · fax +39 · 039 790213
e-mail: info@smam.it · www.smam.it